

A

B

C

D

E

F

A

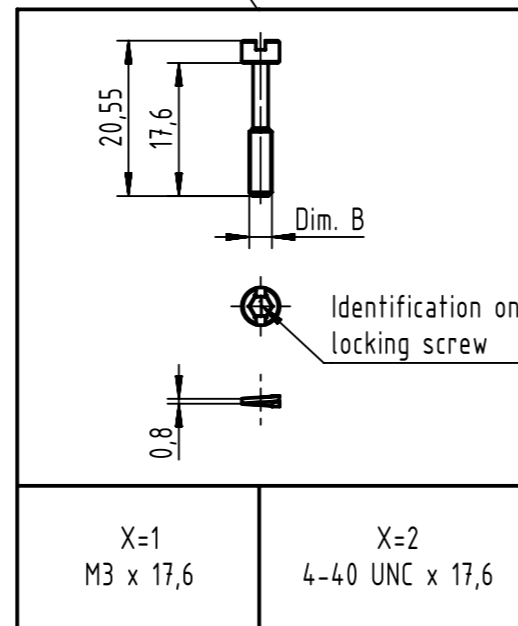
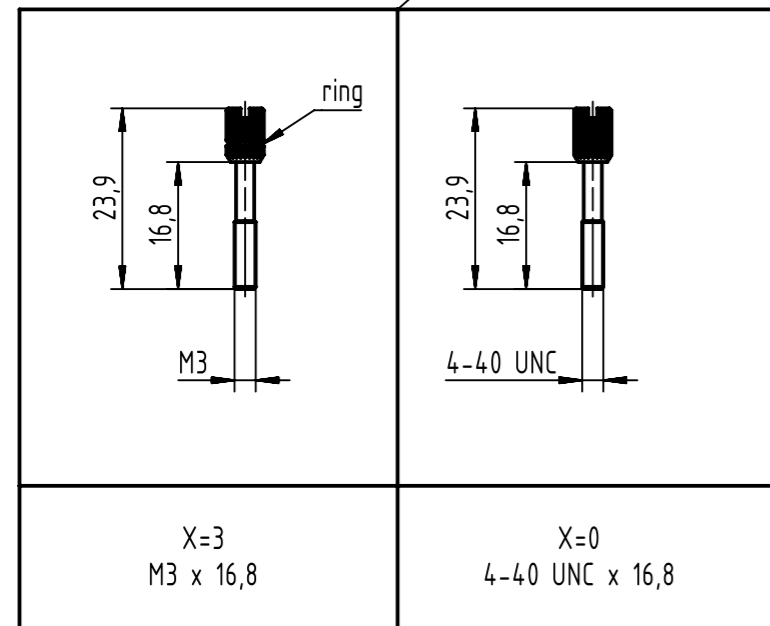
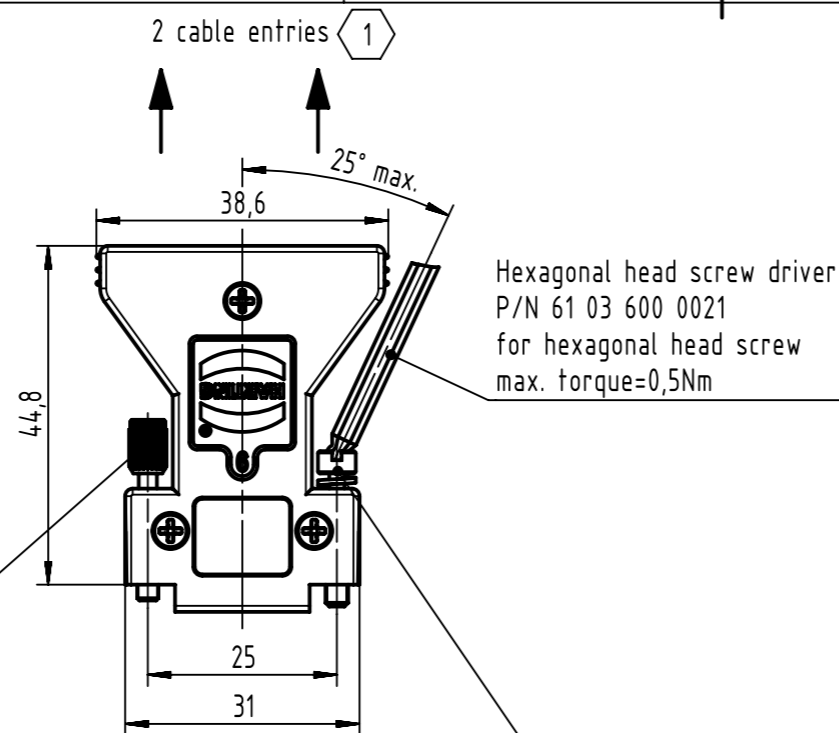
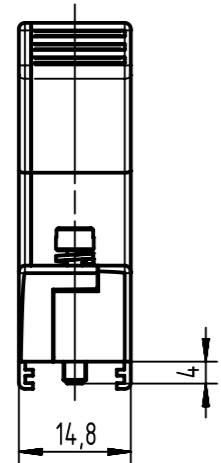
B

C

D

E

F

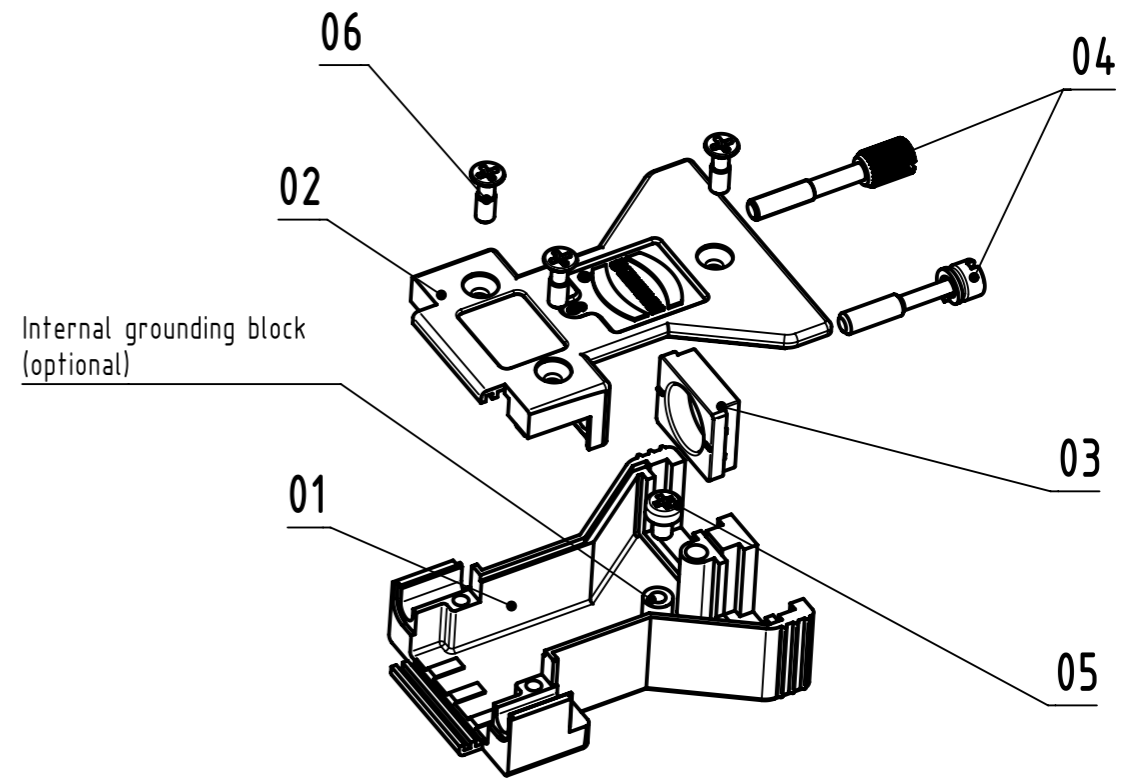


X=3  
M3 x 16,8

X=0  
4-40 UNC x 16,8

X=1  
M3 x 17,6

X=2  
4-40 UNC x 17,6



1 For strain relief an additional InduCom cable clamp or a crimp flange and ferrule combination depending on the cable is necessary

6103 001 X110 YYY			
Part Number	Dim. B screw size	Screw type	Identification for locking screw
6103 001 0110	4-40 UNC	Knurled thumb screw	Without ring
6103 001 1110	M3	Hexagonal screw with captive washer	1
6103 001 2110	4-40 UNC	Hexagonal screw with captive washer	3
6103 001 3110	M3	Knurled thumb screw	With ring
6103 001 0110 010	4-40 UNC	Knurled thumb screw	Without ring
6103 001 1110 010	M3	Hexagonal screw with captive washer	1
6103 001 2110 010	4-40 UNC	Hexagonal screw with captive washer	3
6103 001 3110 010	M3	Knurled thumb screw	With ring
		With internal grounding block	
		Without internal grounding block	

Content InduCom hood			Spare parts (MOQ100)	
Pos.	Quantity	Description	Part Number	Quantity
01	1	metal hood		
02	1	metal cover		
03	1	blank piece (not assembled)	6103 000 0042	1
04	2	locking screw (assembled):		
		either knurled thumb screws 4-40 UNC (for 0110)	0967 002 9018	1
		or hexagonal M3 with captive washer (for 1110)	0967 002 9019	1
		or hexagonal 4-40 UNC with captive washer (for 2110)	0967 002 9020	1
		or knurled thumb screws M3 (for 3110)	0967 002 9017	1
05	1	grounding screw (not assembled) for version with internal grounding block	0963 002 0007	1
06	3	cover screw M2,5 with philips head (not losable in cover) max. torque=0,3Nm	0963 002 0006	1

All rights reserved  
 Department EC PD - CN  
 HARTING Electronics GmbH  
 D-32339 Espelkamp

All Dimensions in mm  
 Original Size DIN A3  
 Scale 1:1  
 Free size tol.  
 Ref. Sub.

Created by ZENG D  
 Inspected by LUOK  
 Standardisation HOFFMANN  
 Date 2018-03-08  
 State Final Release

Title InduCom size 1 (9-pole) easy access hood assembly  
 Type TB  
 Number 6103001X110

Doc-Key / ECM-Nr.  
 100725434/UGD/003/A  
 500000132046  
 Rev. A  
 Page 1/1